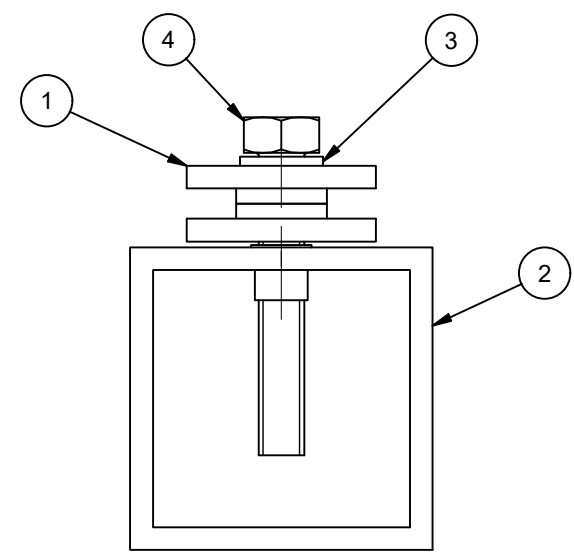
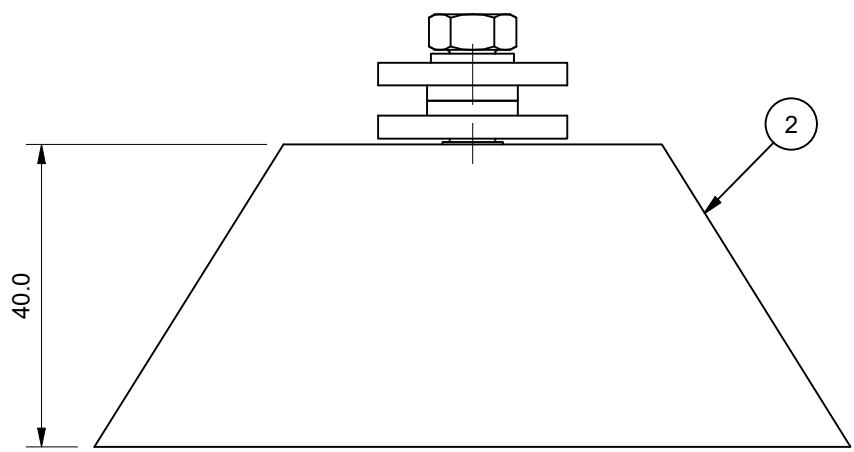
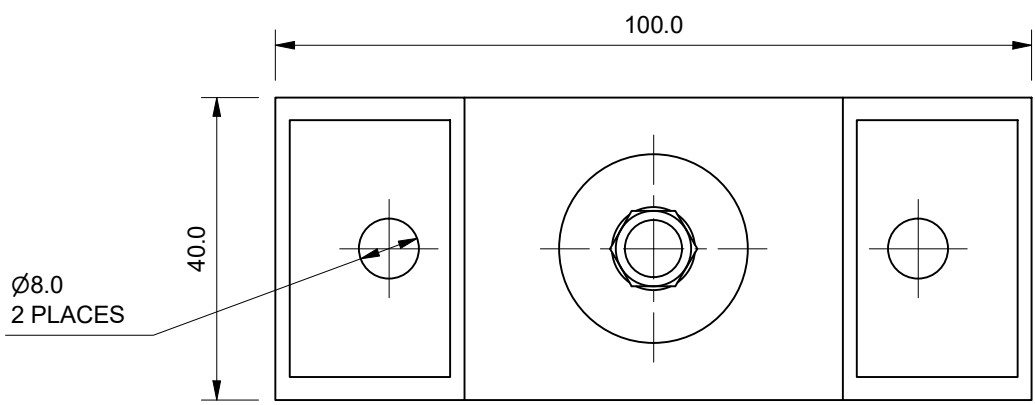


ITEM	QTY	PART NUMBER	MATERIAL
1	2	INSULATOR BUTTON	ACETAL - BLACK
2	1	INSULATOR SUPPORT	ALUMINIUM
3	1	M6 FLAT WASHER	304 STAINLESS STEEL
4	1	M6 x 40 HEX HEAD SET SCREW	304 STAINLESS STEEL



LPI[®]
WWW.LPI.COM.AU

TOLERANCES
UNLESS OTHERWISE STATED
X. ±1.0
X.X ±0.5
X.XX ±0.25

LIGHTNING PROTECTION INTERNATIONAL PTY. LTD.
A.B.N. 11 099 190 897
49 PATRIARCH DRIVE
HUNTINGFIELD TAS 7055, AUSTRALIA
PH: +61 3 6227 1955 FX: +61 3 6229 1900
© 2018 LIGHTNING PROTECTION INTERNATIONAL PTY. LTD.

TITLE: EARTHING INSULATOR SUPPORT KIT		
PRODUCT CODE	EB-INSS-021	REV 2
SCALE	1 : 1	SHEET 1 OF 1 A4
FILE	EB-INSS-NBN-21.E.idw	DATE 21/11/18