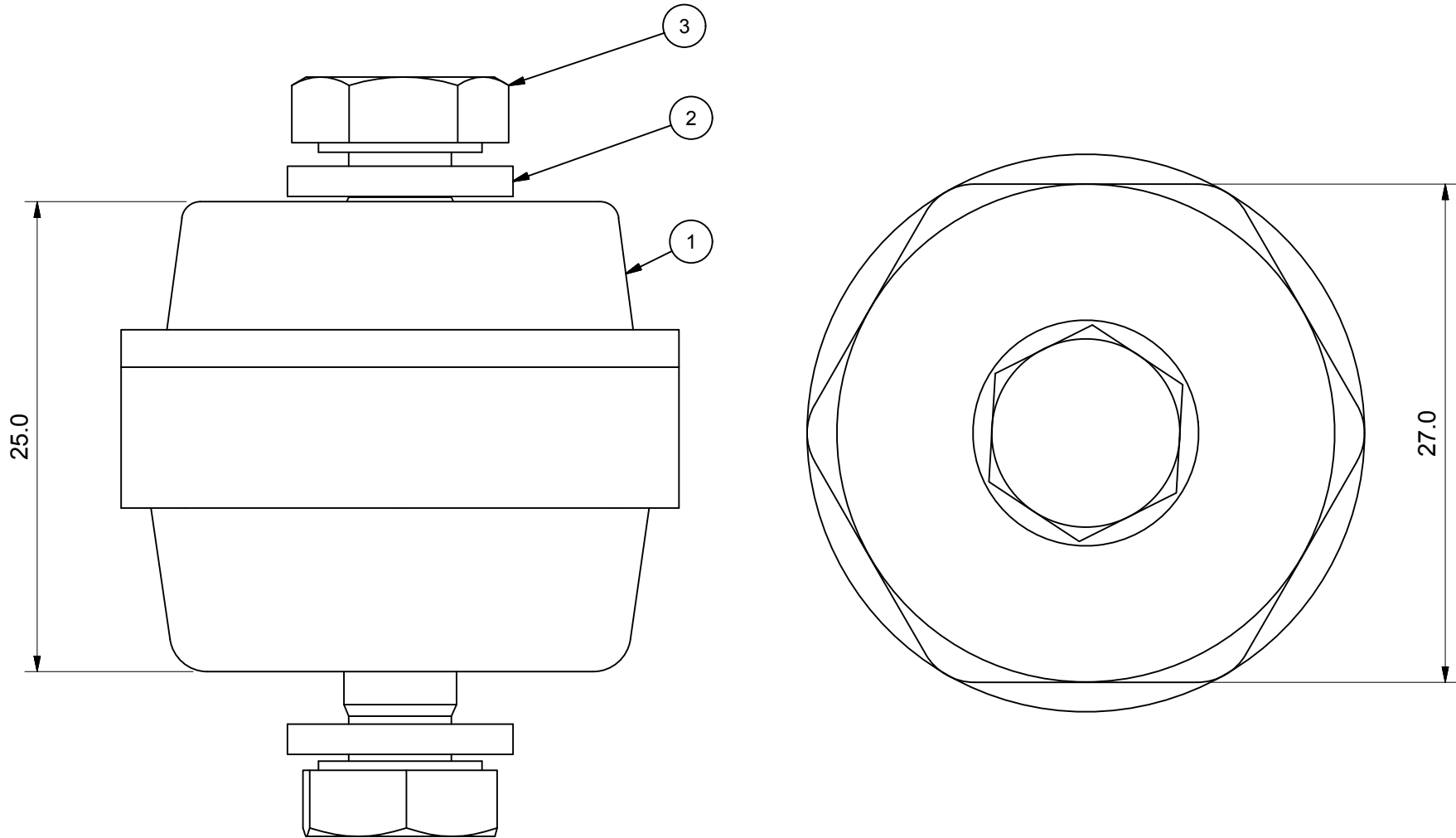


ITEM	QTY	DESCRIPTION	MATERIAL
1	1	INSULATOR BOBBIN	GLASS REINFORCED POLYESTER
2	2	M6 WASHER	304 STAINLESS STEEL
3	2	M6 x 12 SET SCREW	304 STAINLESS STEEL



LPI[®]
WWW.LPI.COM.AU

TOLERANCES
UNLESS OTHERWISE STATED
X. ± 1.0
X.X ± 0.5
X.XX ± 0.25

LIGHTNING PROTECTION INTERNATIONAL PTY. LTD.
A.B.N. 11 099 190 897
49 PATRIARCH DRIVE
HUNTINGFIELD TAS 7055, AUSTRALIA
PH: +61 3 6227 1955 FX: +61 3 6229 1900
© 2015 LIGHTNING PROTECTION INTERNATIONAL PTY. LTD.

TITLE: LPI® M6 EARTH BAR INSULATOR	
PRODUCT CODE EB-INSU-OPT-M6	REV 1
SCALE NTS	SHEET 1 OF 1 A4
FILE EB-INSU-OPT-M6.E.idw	DATE 22/09/15