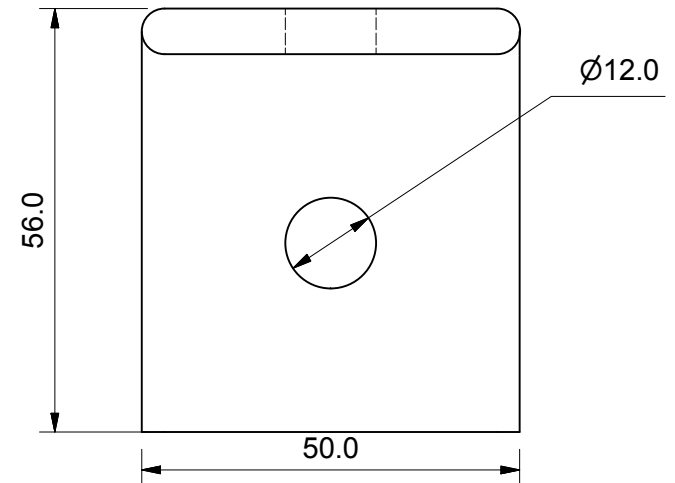
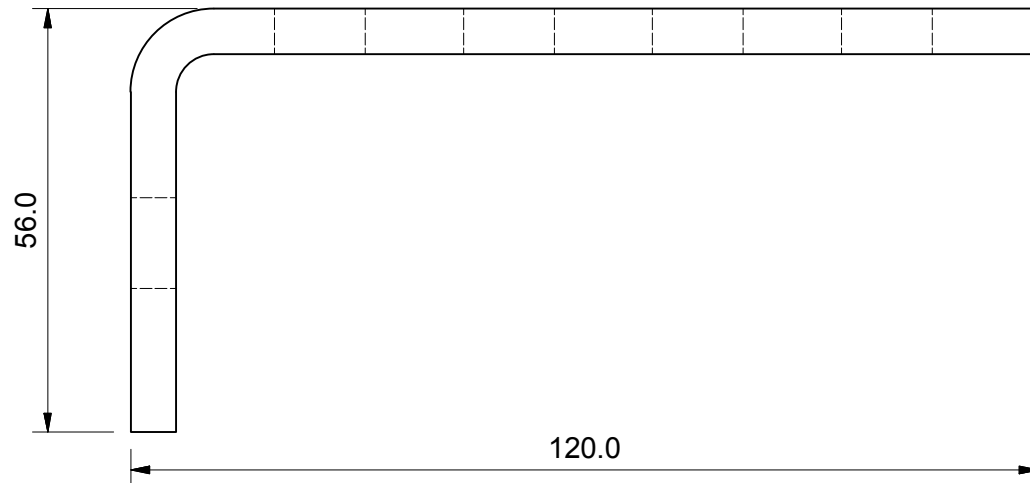
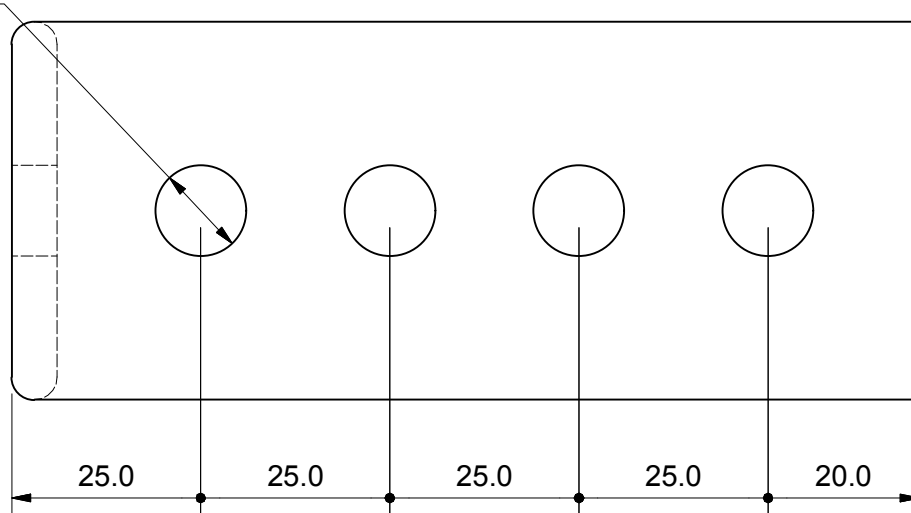


ITEM	QTY	DESCRIPTION	MATERIAL
1	1	EARTH BAR BENT ONE END, 120 x 50 x 6 mm TOP SIDE, 56 x 50 x 6 BENT END	TINNED COPPER

Ø12.0 x 4



LPI[®]
WWW.LPI.COM.AU

TOLERANCES
UNLESS OTHERWISE STATED
X. ± 1.0
X.X ± 0.5
X.XX ± 0.25

LIGHTNING PROTECTION INTERNATIONAL PTY. LTD.
A.B.N. 11 099 190 897
49 PATRIARCH DRIVE
HUNTINGFIELD TAS 7055, AUSTRALIA
PH: +61 3 6227 1955 FX: +61 3 6229 1900
© 2015 LIGHTNING PROTECTION INTERNATIONAL PTY. LTD.

TITLE: LPI® EARTH BAR 120 x 50 x 6 mm TOP SIDE, 56 x 50 x 6 mm BENT END		REV 1
PRODUCT CODE	EB150-SHBT-VHA-E300	A4
SCALE	NTS	SHEET 1 OF 1
FILE	EB150-SHBT-VHA-E300.E.idw	DATE 25/09/15