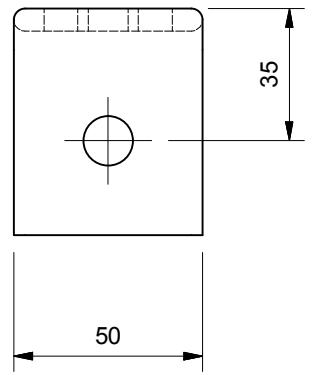
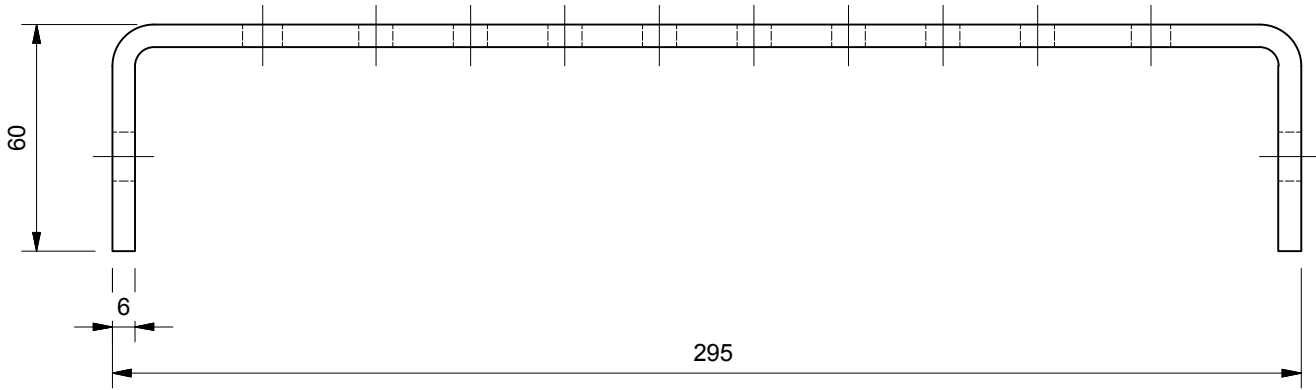
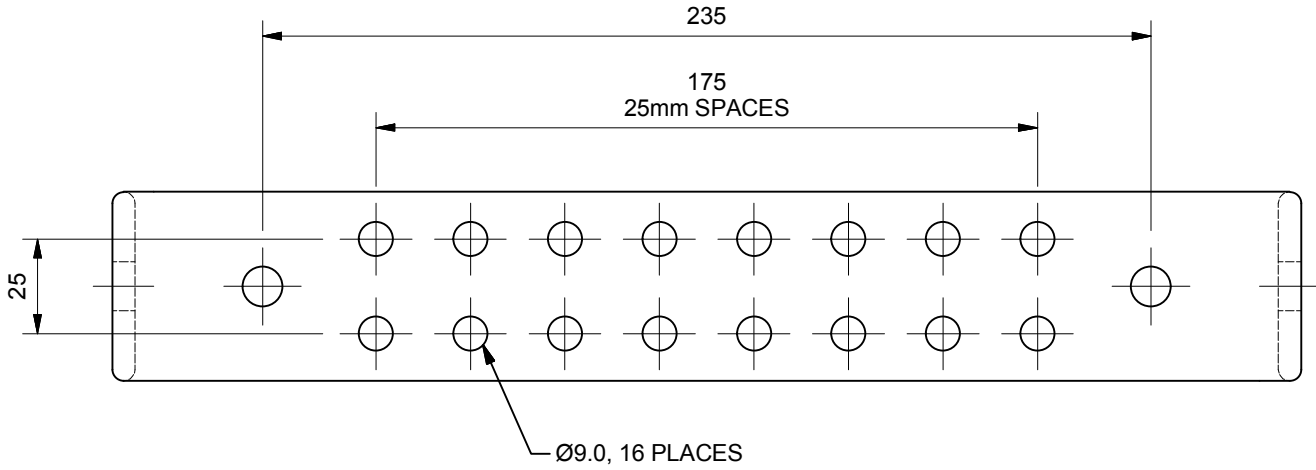


ITEM	QTY	DESCRIPTION	MATERIAL
1	1	EARTH BAR, FEEDER, SUIT 300 LADDER, BENT BOTH ENDS, NBN-21C	TINNED COPPER



TOLERANCES UNLESS OTHERWISE STATED	
X.	± 1.0
X.X	± 0.5
X.XX	± 0.25

LIGHTNING PROTECTION INTERNATIONAL PTY. LTD.
A.B.N. 11 099 190 897
49 PATRIARCH DRIVE
HUNTINGFIELD TAS 7055, AUSTRALIA
PH: +61 3 6227 1955 FX: +61 3 6229 1900
© 2018 LIGHTNING PROTECTION INTERNATIONAL PTY. LTD.

TITLE: EARTH BAR, FEEDER, SUIT 300mm LADDER, FOR NBN, TINNED COPPER, BENT BOTH ENDS		
PRODUCT CODE	EB300-FEB-NBN-21C	REV 2
SCALE	1 : 2	SHEET 1 OF 1 A4
FILE	EB300-FEB-NBN-21C.E.idw	DATE 04/04/18