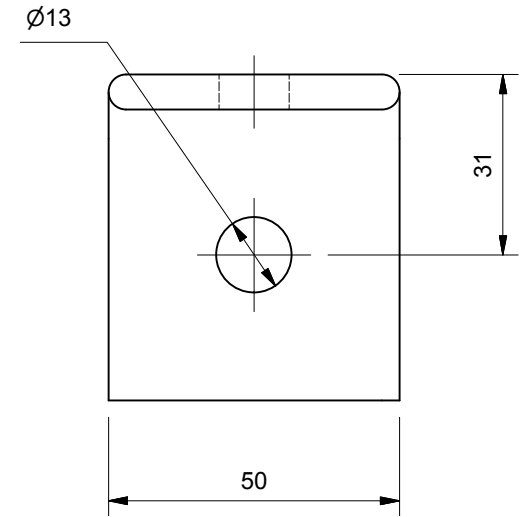
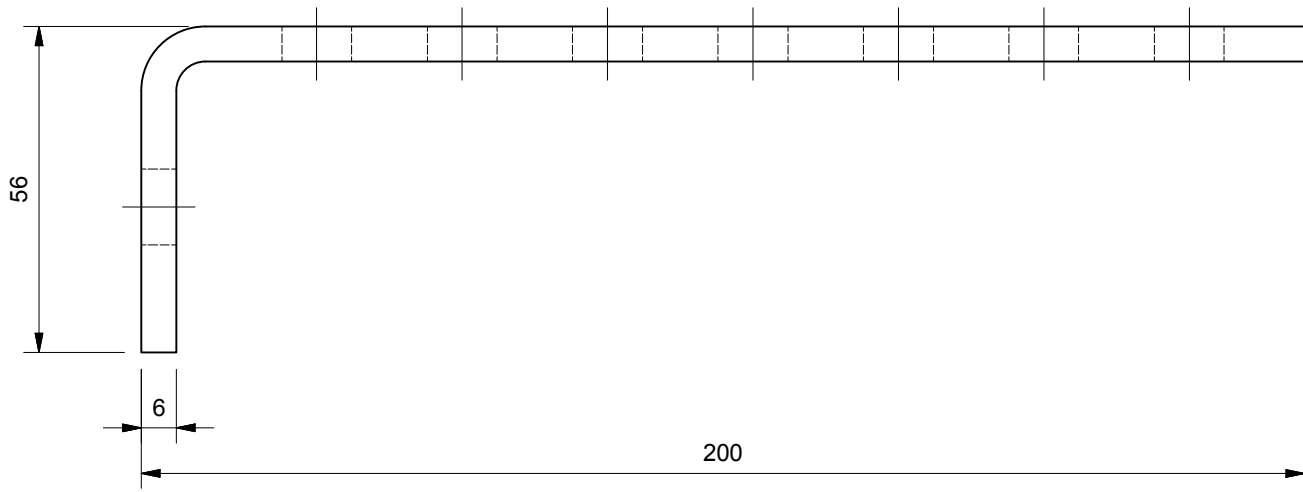
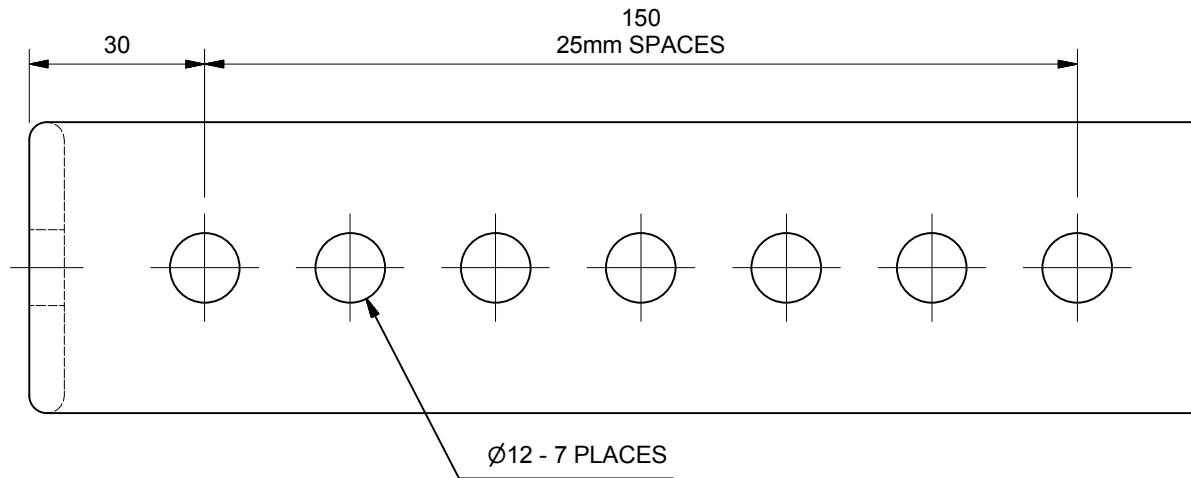


ITEM	QTY	DESCRIPTION	MATERIAL
1	1	EARTH BAR, VHA TYPE 5, SUIT 300 LADDER, SINGLE HOLE, BENT	TINNED COPPER



**LPI**<sup>®</sup>  
WWW.LPI.COM.AU

TOLERANCES  
UNLESS OTHERWISE STATED

X.	± 1.0
X.X	± 0.5
X.XX	± 0.25

LIGHTNING PROTECTION INTERNATIONAL PTY. LTD.  
A.B.N. 11 099 190 897  
49 PATRIARCH DRIVE  
HUNTINGFIELD TAS 7055, AUSTRALIA  
PH: +61 3 6227 1955 FX: +61 3 6229 1900  
© 2015 LIGHTNING PROTECTION INTERNATIONAL PTY. LTD.

TITLE: LPI® EARTH BAR, VHA TYPE 5, SUIT 300 LADDER, SINGLE HOLE, BENT, TINNED COPPER			
PRODUCT CODE	EB300-SHBT-VHA-E300	REV	2
SCALE	NTS	SHEET	1 OF 1 A4
FILE	EB300-SHBT-VHA-E300.E.idw	DATE	25/09/15