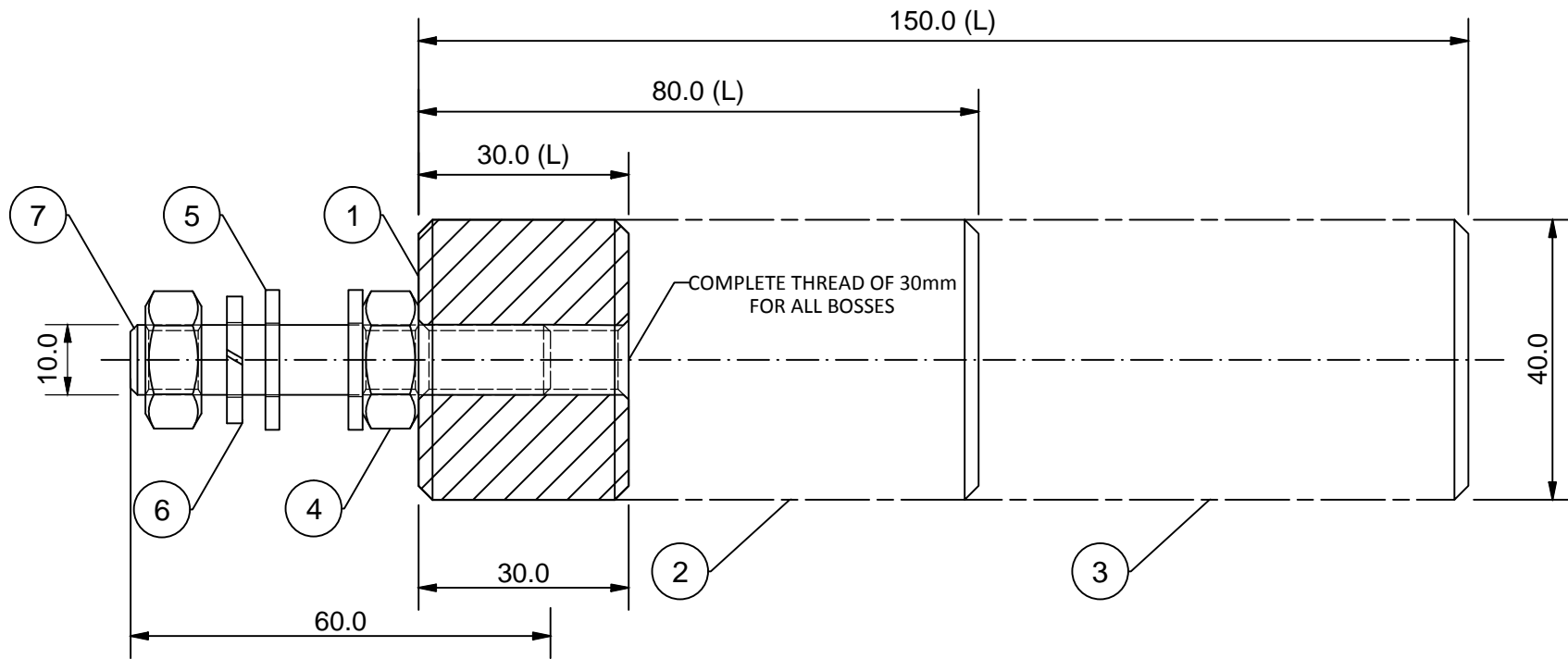


ITEM	PART NUMBER	LENGTH (L)
1	EB3040	30 mm x 40 mm Ø
2	EB8040	80 mm x 40 mm Ø
3	EB15040	150 mm x 40 mm Ø



ITEM	QTY	PART NUMBER	MATERIAL
1	1	EB3040	MILD STEEL
2	1	EB8040	MILD STEEL
3	1	EB15040	MILD STEEL
4	2	M10 HEX NUT	HDG
5	2	M10 FLAT WASHER	HDG
6	1	M10 SPRING WASHER	HDG
7	1	M10 x 60 mm STUD	HDG



WWW.LPI.COM.AU

TOLERANCES UNLESS OTHERWISE STATED	
X.	± 1.0
X.X	± 0.5
X.XX	± 0.25

LIGHTNING PROTECTION INTERNATIONAL PTY. LTD.
A.B.N. 11 099 190 897
49 PATRIARCH DRIVE
HUNTINGFIELD TAS 7055, AUSTRALIA
PH: +61 3 6227 1955 FX: +61 3 6229 1900

© 2015 LIGHTNING PROTECTION INTERNATIONAL PTY. LTD.

TITLE: LPI 40mm Ø EARTH BOSS RANGE

PRODUCT CODE SEE PARTS LIST

SCALE NTS SHEET 1 OF 1

FILE: EB##40.E V1.DWG

REV 1

A4

DATE 28/04/15