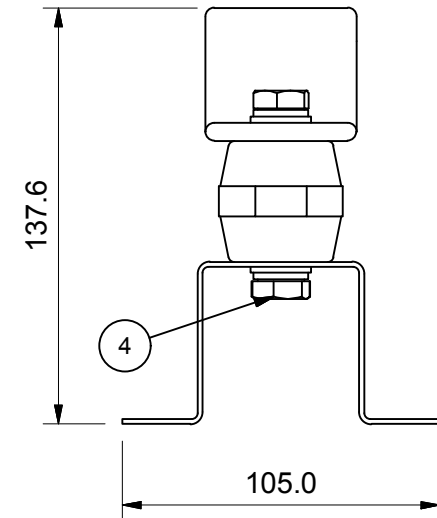
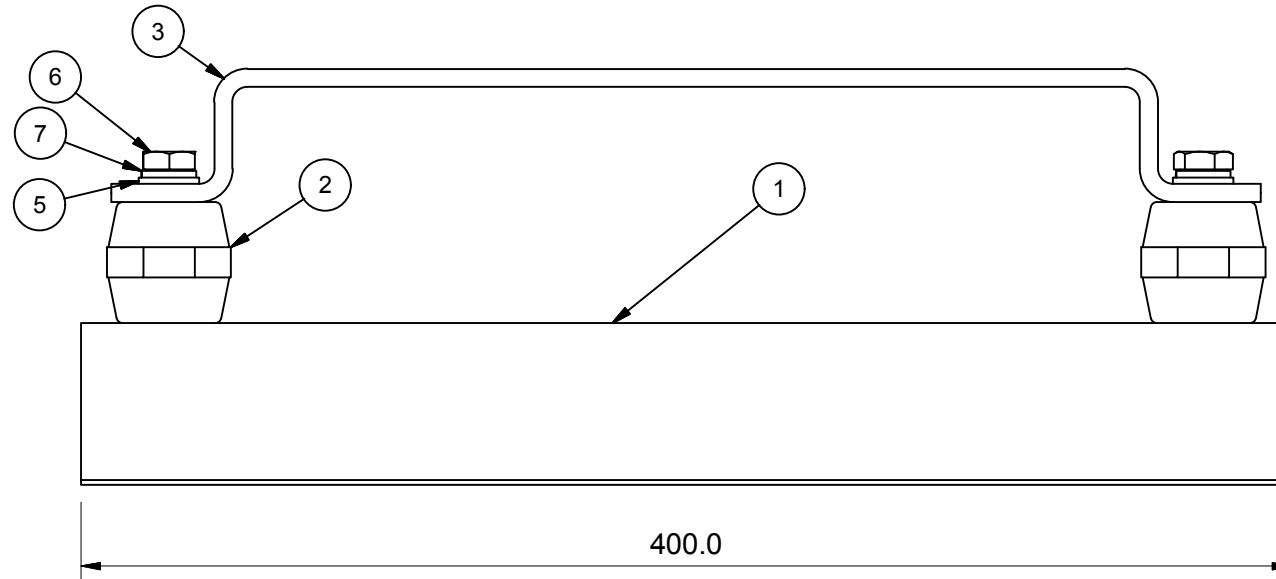
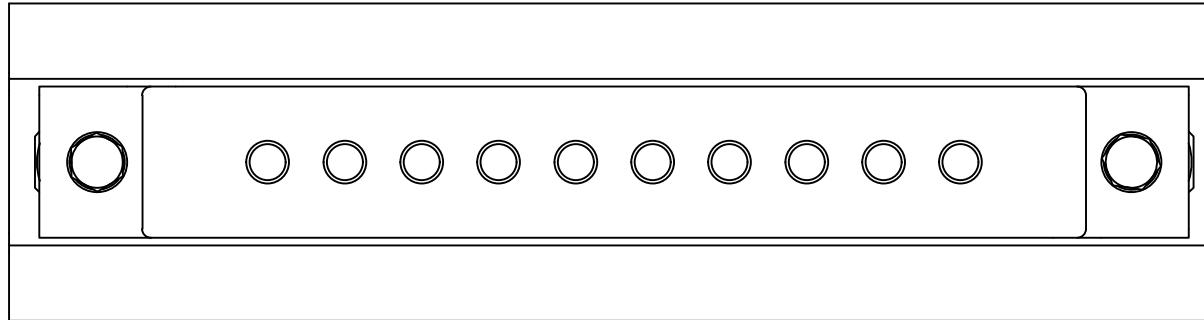


ITEM	QTY	DESCRIPTION	MATERIAL
1	1	EB350-VHA TOP HAT SECTION	HDG MILD STEEL
2	2	STANDOFF INSULATOR	REINFORCED GLASS POLYESTER
3	1	EB350-VHA EARTH BAR	TINNED COPPER
4	2	M10 x 16 HEX HEAD BOLT	304 STAINLESS STEEL
5	4	M10 WASHER	304 STAINLESS STEEL
6	2	M10 x 10 HEX HEAD BOLT	304 STAINLESS STEEL
7	4	M10 SPRING WASHER	304 STAINLESS STEEL



**LPI**<sup>®</sup>  
WWW.LPI.COM.AU

TOLERANCES  
UNLESS OTHERWISE STATED  
X. ± 1.0  
X.X ± 0.5  
X.XX ± 0.25

LIGHTNING PROTECTION INTERNATIONAL PTY. LTD.  
A.B.N. 11 099 190 897  
49 PATRIARCH DRIVE  
HUNTINGFIELD TAS 7055, AUSTRALIA  
PH: +61 3 6227 1955 FX: +61 3 6229 1900  
© 2015 LIGHTNING PROTECTION INTERNATIONAL PTY. LTD.

TITLE: LPI@ EB350-VHA EARTH BAR ASSEMBLY		REV 1
PRODUCT CODE	EB350-VHA	A4
SCALE	NTS	SHEET 1 OF 1
FILE	EB350-VHA,E.idw	DATE 24/09/15