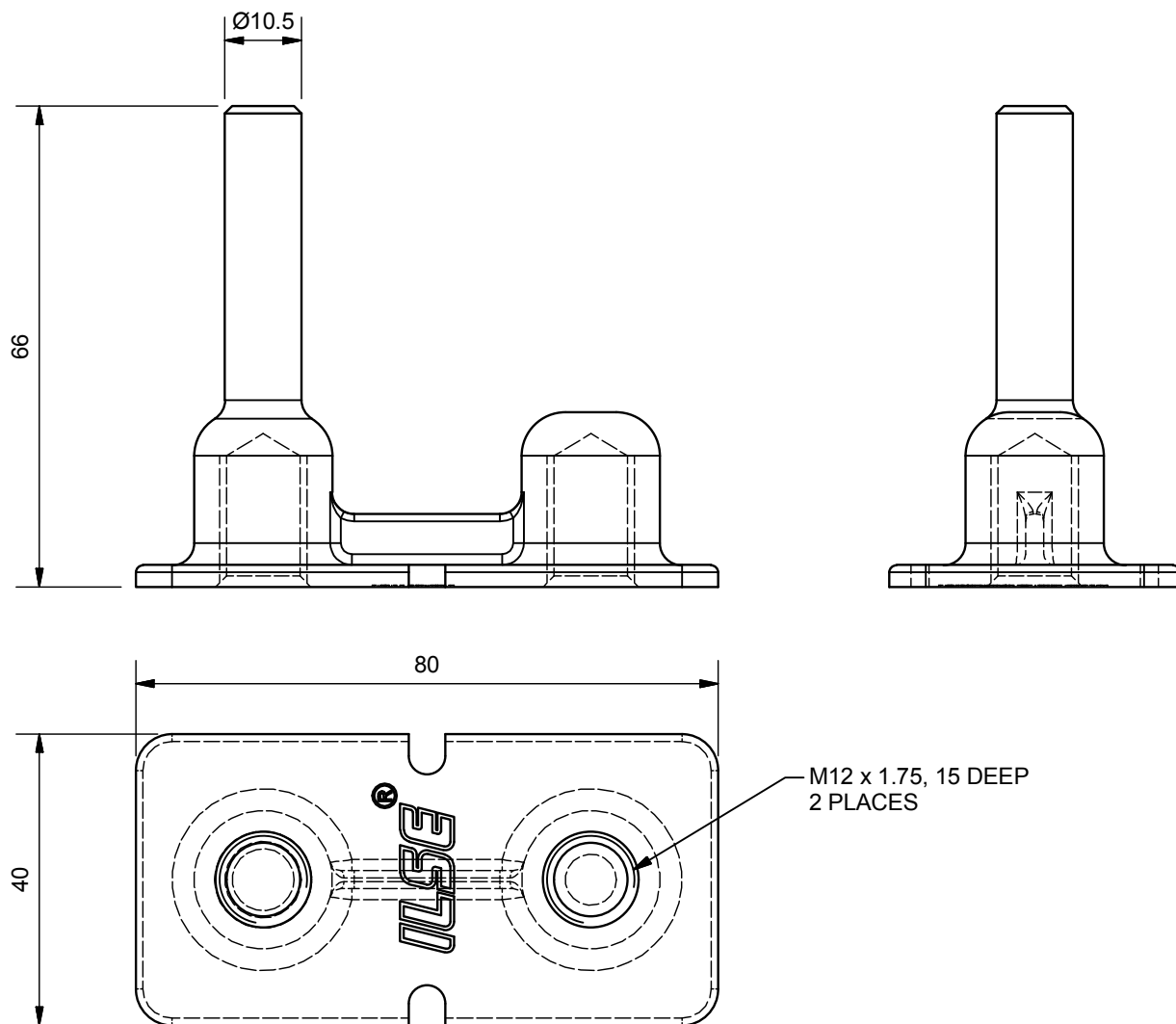


ITEM	QTY	DESCRIPTION	MATERIAL
1	1	2 HOLE EARTH POINT	COPPER ALLOY, UNS-C38000



**LPI**<sup>®</sup>  
WWW.LPI.COM.AU

TOLERANCES  
UNLESS OTHERWISE STATED  
X. ± 1.0  
X.X ± 0.5  
X.XX ± 0.25

LIGHTNING PROTECTION INTERNATIONAL PTY. LTD.  
A.B.N. 11 099 190 897  
49 PATRIARCH DRIVE  
HUNTINGFIELD TAS 7055, AUSTRALIA  
PH: +61 3 6227 1955 FX: +61 3 6229 1900  
© 2014 LIGHTNING PROTECTION INTERNATIONAL PTY. LTD.

TITLE: 2 HOLE EARTH POINT, M12		
PRODUCT CODE	EP2M12	REV 1
SCALE 1:1	SHEET 1 OF 1	A4
FILE EP2M12.E.idw	DATE 06/11/14	