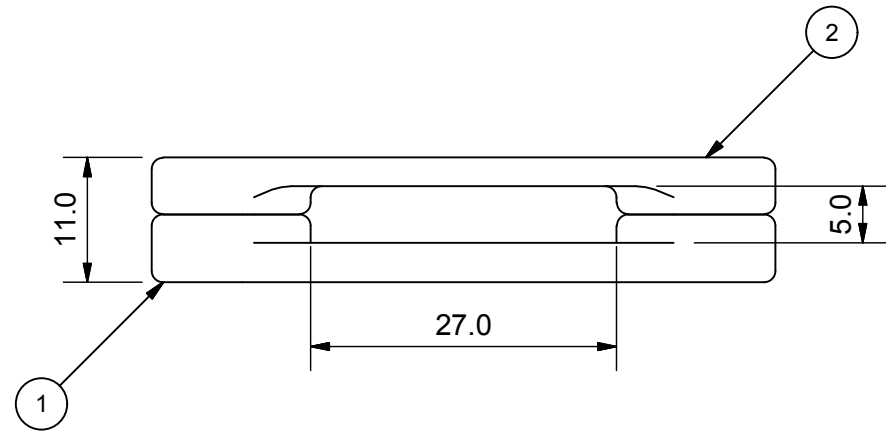
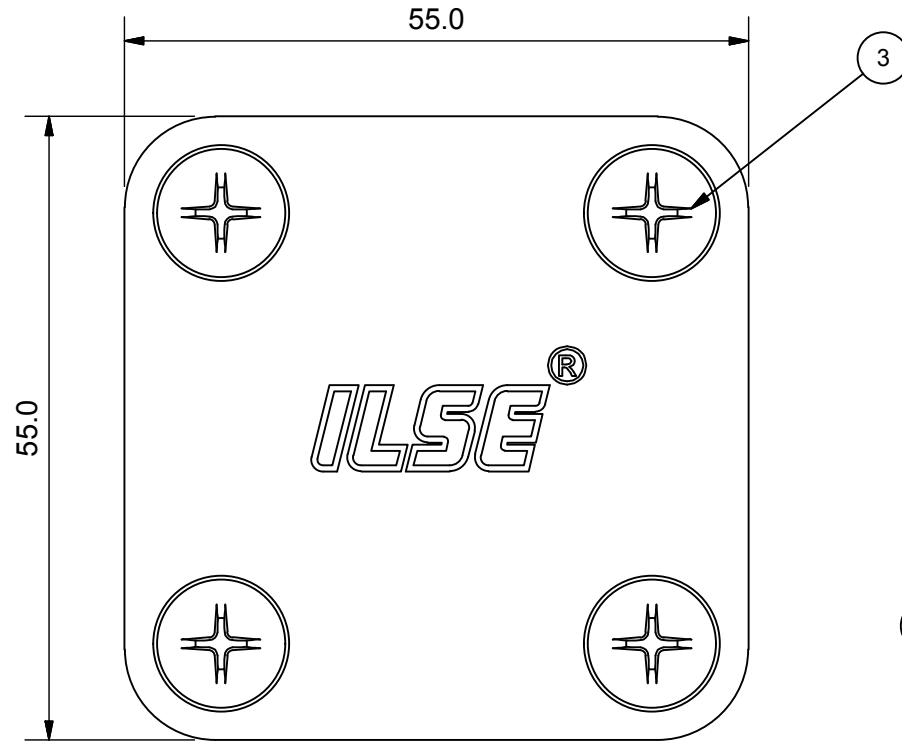


ITEM	QTY	DESCRIPTION	MATERIAL
1	1	BASE	COPPER ALLOY, UNS-C38000
2	1	CLAMP	COPPER ALLOY, UNS-C38000
3	4	M6 x 10 COUNTERSUNK FLATHEAD SCREWS	S/S 316



LPI[®]
WWW.LPI.COM.AU

TOLERANCES
UNLESS OTHERWISE STATED
X. ± 1.0
X.X ± 0.5
X.XX ± 0.25

LIGHTNING PROTECTION INTERNATIONAL PTY. LTD.
A.B.N. 11 099 190 897
49 PATRIARCH DRIVE
HUNTINGFIELD TAS 7055, AUSTRALIA
PH: +61 3 6227 1955 FX: +61 3 6229 1900
© 2015 LIGHTNING PROTECTION INTERNATIONAL PTY. LTD.

TITLE: LPI® Square Tape Clamp to Suit 25 x 3 mm Copper Tape		REV 1
PRODUCT CODE	FL4STC253C	A4
SCALE NTS	SHEET 1 OF 1	DATE 05/05/15
FILE	FL4STC253C.E.idw	