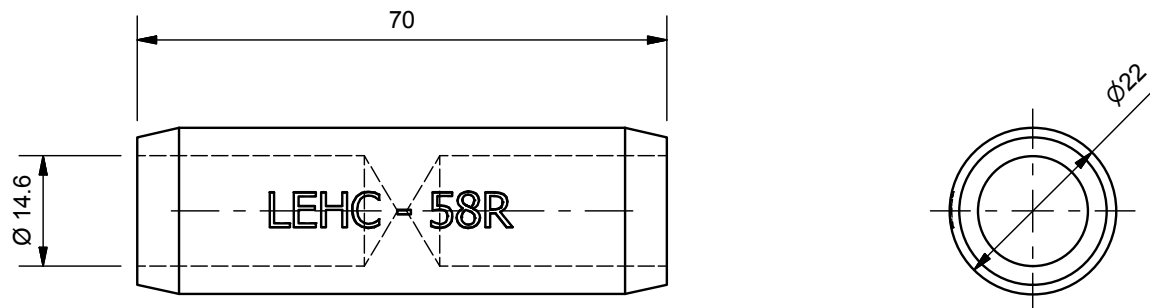


ITEM	QTY	DESCRIPTION	MATERIAL
1	1	EARTH ROD COUPLER	COPPER ALLOY, UNS C38000



**LPI**<sup>®</sup>  
WWW.LPI.COM.AU

TOLERANCES  
UNLESS OTHERWISE STATED

X.	± 1.0
X.X	± 0.5
X.XX	± 0.25

LIGHTNING PROTECTION INTERNATIONAL PTY. LTD.  
A.B.N. 11 099 190 897  
49 PATRIARCH DRIVE  
HUNTINGFIELD TAS 7055, AUSTRALIA  
PH: +61 3 6227 1955 FX: +61 3 6229 1900  
© 2014 LIGHTNING PROTECTION INTERNATIONAL PTY. LTD.

TITLE: EARTH ROD COUPLER, SUITS Ø 14.3mm RODS	
PRODUCT CODE LEHC-58R	REV 1
SCALE 1 : 1	SHEET 1 OF 1 A4
FILE LEHC-58R.E.idw	DATE 19/11/14