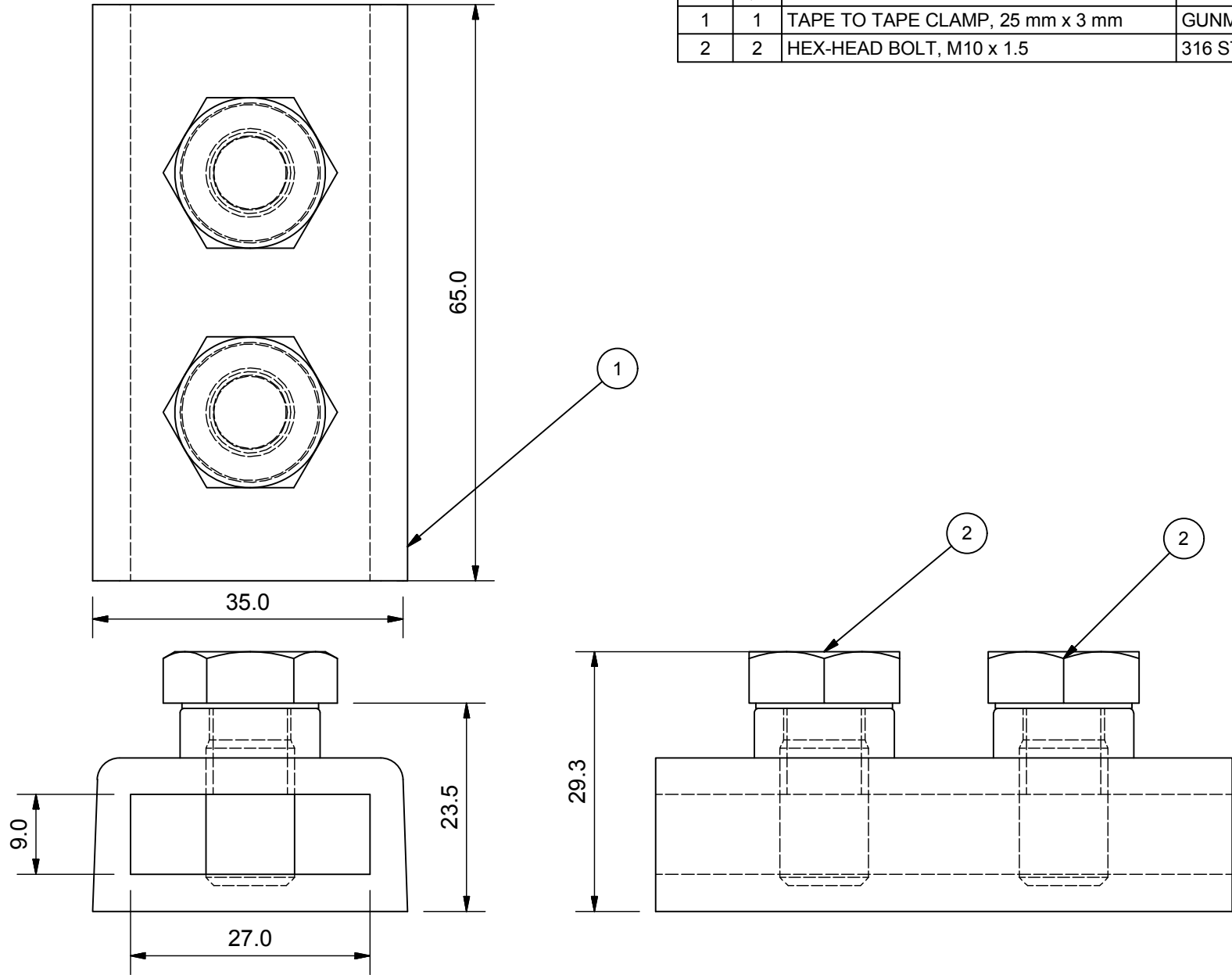


ITEM	QTY	DESCRIPTION	MATERIAL
1	1	TAPE TO TAPE CLAMP, 25 mm x 3 mm	GUNMETAL
2	2	HEX-HEAD BOLT, M10 x 1.5	316 STAINLESS STEEL



**LPI**<sup>®</sup>  
WWW.LPI.COM.AU

TOLERANCES  
UNLESS OTHERWISE STATED

X. ± 1.0  
X.X ± 0.5  
X.XX ± 0.25

LIGHTNING PROTECTION INTERNATIONAL PTY. LTD.  
A.B.N. 11 099 190 897  
49 PATRIARCH DRIVE  
HUNTINGFIELD TAS 7055, AUSTRALIA  
PH: +61 3 6227 1955 FX: +61 3 6229 1900  
© 2015 LIGHTNING PROTECTION INTERNATIONAL PTY. LTD.

TITLE: LPI® TAPE TO TAPE CLAMP FOR 25 x 3 TAPE

PRODUCT CODE	OTC253	REV	1
SCALE	NTS	SHEET	1 OF 1
FILE	OTC253.E.idw	DATE	8/07/15