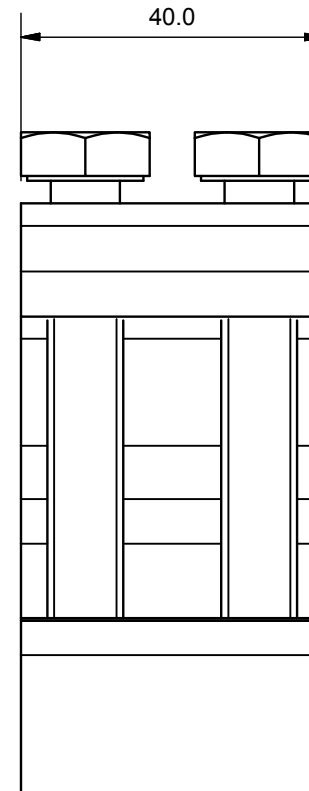
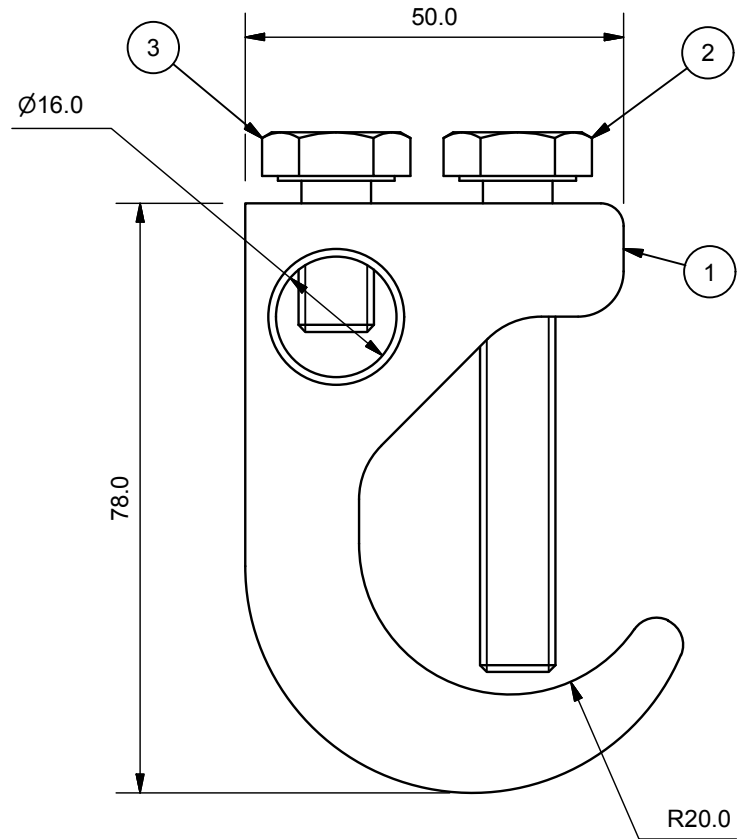


ITEM	QTY	DESCRIPTION	MATERIAL
1	1	CLAMP	MILD STEEL
2	2	SET SCREW	HEX HD, ZP, M10 x 65
3	2	SET SCREW	HEX HD, ZP, M10 x 20



LPI[®]
WWW.LPI.COM.AU

TOLERANCES
UNLESS OTHERWISE STATED
X. ± 1.0
X.X ± 0.5
X.XX ± 0.25

LIGHTNING PROTECTION INTERNATIONAL PTY. LTD.
A.B.N. 11 099 190 897
49 PATRIARCH DRIVE
HUNTINGFIELD TAS 7055, AUSTRALIA
PH: +61 3 6227 1955 FX: +61 3 6229 1900
© 2015 LIGHTNING PROTECTION INTERNATIONAL PTY. LTD.

TITLE: REBC100 REBAR CLAMP		REV 1
PRODUCT CODE	REBC100	A4
SCALE	1 : 1	SHEET 1 OF 1
FILE	REBC100.E.idw	DATE 22/04/15