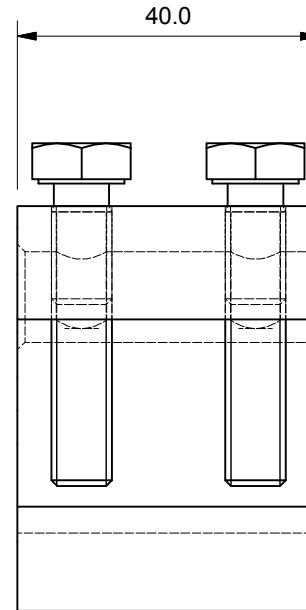
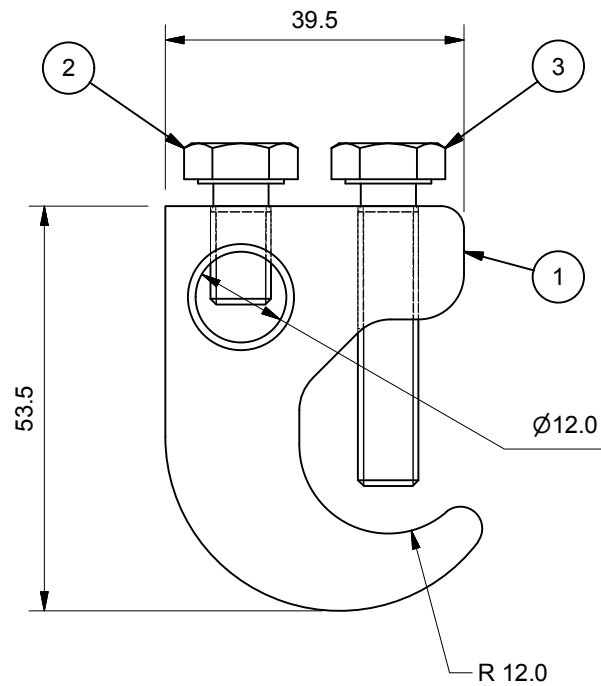


| ITEM | QTY | DESCRIPTION | MATERIAL |
|------|-----|-------------|---------------------|
| 1 | 1 | CLAMP | MILD STEEL |
| 2 | 2 | SET SCREW | HEX HD, ZP, M8 x 16 |
| 3 | 2 | SET SCREW | HEX HD, ZP, M8 x 40 |



LPI[®]
WWW.LPI.COM.AU

TOLERANCES
UNLESS OTHERWISE STATED
X. ± 1.0
X.X ± 0.5
X.XX ± 0.25

LIGHTNING PROTECTION INTERNATIONAL PTY. LTD.
A.B.N. 11 099 190 897
49 PATRIARCH DRIVE
HUNTINGFIELD TAS 7055, AUSTRALIA
PH: +61 3 6227 1955 FX: +61 3 6229 1900
© 2015 LIGHTNING PROTECTION INTERNATIONAL PTY. LTD.

| | | |
|------------------------------|--------------|------------------|
| TITLE: REBC70 REBAR CLAMP | | REV 1 |
| PRODUCT CODE | REBC70 | A4 |
| SCALE | 1 : 1 | SHEET 1 OF 1 |
| FILE | REBC70.E.idw | DATE 23/04/15 |