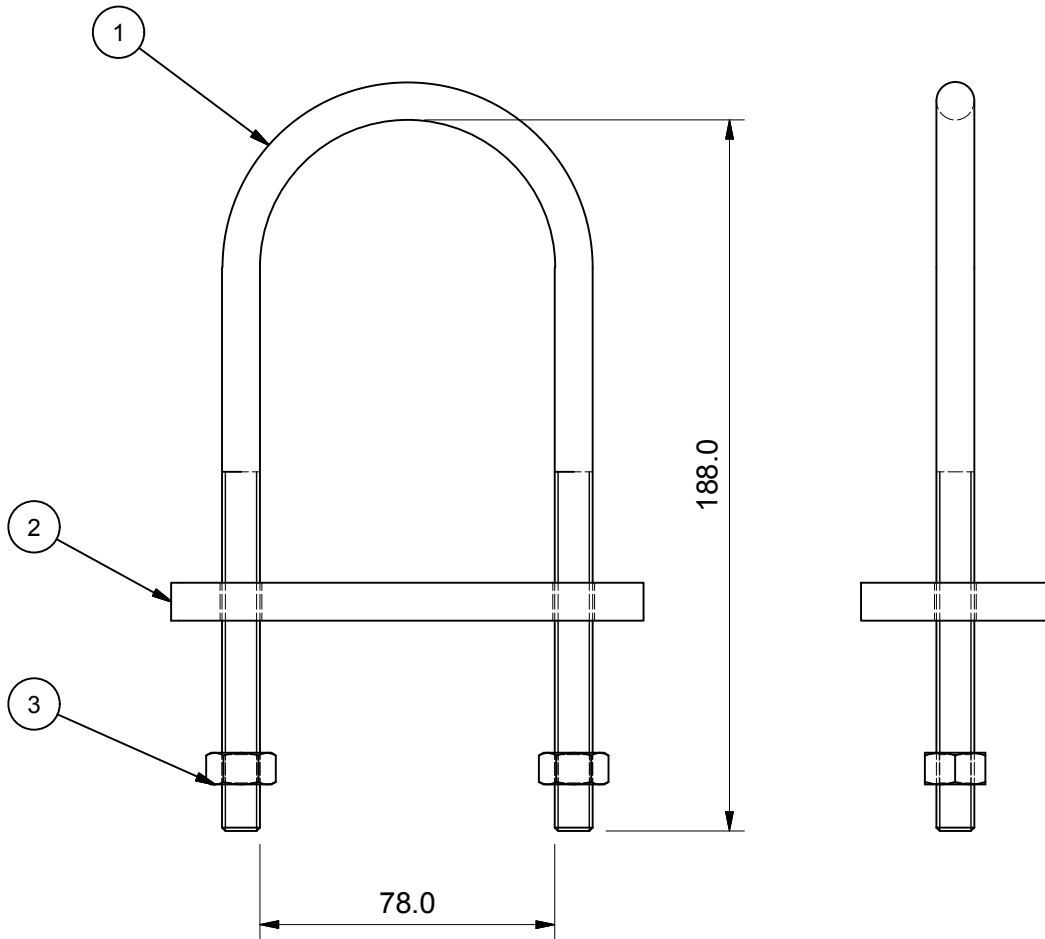


PARTS LIST			
ITEM	QTY	PART NUMBER	DESCRIPTION
1	1	U-BOLT, M10	STAINLESS STEEL 316
2	1	PLATE	ALUMINIUM
3	2	HEX NUT, M10	STAINLESS STEEL 316



PRODUCT CODE 'U-BOLT' INCLUDES QTY. 2 ASSEMBLIES AS SHOWN



WWW.LPI.COM.AU

TOLERANCES UNLESS OTHERWISE STATED	
X.	±1.0
X.X	±0.5
X.XX	±0.25

LIGHTNING PROTECTION INTERNATIONAL PTY. LTD.
A.B.N. 11 099 190 897
49 PATRIARCH DRIVE
HUNTINGFIELD TAS 7055, AUSTRALIA
PH: +61 3 6227 1955 FX: +61 3 6229 1900
© 2018 LIGHTNING PROTECTION INTERNATIONAL PTY. LTD.

TITLE: U-BOLT ASSEMBLY		
PRODUCT CODE U-BOLT	SCALE 1:2	REV 1
FILE U-BOLT.E.idw	SHEET 1 OF 1	A4
	DATE 07/06/18	